

Unitite® Technical Data Sheet

6-14 Unitite® Screws

PART NUMBER	DESCRIPTION	PACK / QTY	OUTER BOX
UT6-14X55CL5N	6-14 x 55mm Class 5 Unitite® w/Seal	100 / 500	600 / 1500
UT6-14X65CL5N	6-14 x 65mm Class 5 Unitite® w/Seal	100 / 500	600 / 1500

Application:

Konnect® 55 & 65mm M6-14 Unitites® are designed for installing / fixing via crest fixing of roof sheets to Top Hat or timber battens. Can be used as an alternative from traditional self drilling metal screws for fixing to steel purlins in both residential and commercial applications.

Drill Capacity:

Top Hat Batten 0.55 - 0.75mm | Timber Batten - Pine or Hardwood | Steel Purlin 1.00 - 5.00 mm

Installation Instructions :

1. Use a 5/16" Hexagon Nut Driver / Setter (Konnect® Part Number - KCNS51665 - 65mm long)
2. Use a mains powered or cordless screw driver with a maximum output of 3000 RPM.
3. Fit the Hexagon Nut Driver / Setter over the Hexagon Head of the screw and place at the desired fastening position
4. Apply a consistent firm amount of pressure (end load) to the screw driver until the screw has drilled and fastened into the material.

Material: Carbon Steel SAE 1022 | **Heat Treatment:** To AS3566.1 - 2002 (R2015) | **Finish:** K5™ Coating only

Mechanical Properties:

Single Shear Strength (N) 8500 | Axial Tensile Strength (N) 15,400 | Torsional Strength (Nm) 14.8

Pull Out Values:

G550 0.55mm Batten 1,600 | G550 0.75mm Batten 2,560 | G450 1.2mm Stud 3,360 | G450 1.5mm Purlin 5,320 | G450 1.9mm Purlin 6,020

* F5 (Pine) Timber 4,300 | F17 (Hardwood) 6,570

All values are averages in Newtons that have been obtained under strict laboratory conditions. Appropriate safety factors should be applied for design purposes.

All these figures listed above are ONLY for Konnect® Head Marked Product.

* Timber values are at 34/36 mm embedment in accordance with AS3566.1 2002 (R2015)

Corrosion Performance:

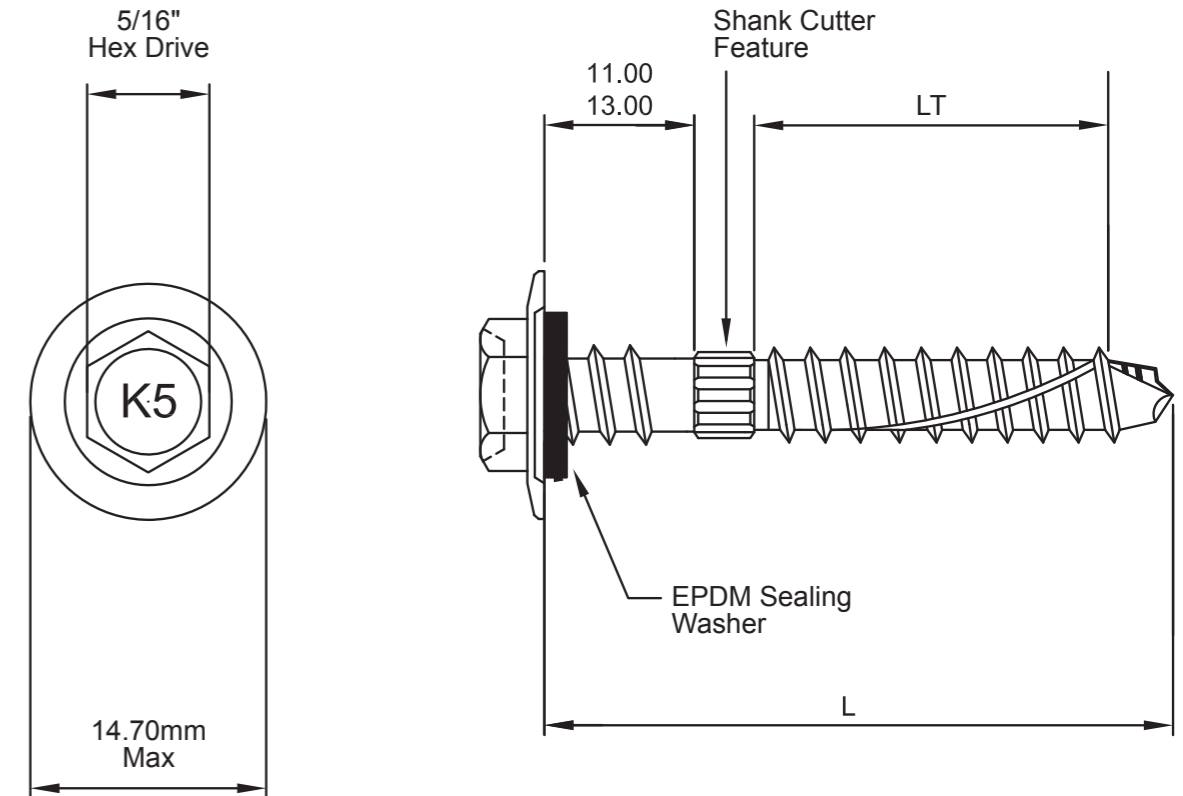
Konnect® Unitites™ with K5™ coating complies to Australian Standard AS3566.2 2002. K5™ Coated product is suitable for all ISO Categories up to and including Category 5.



Whilst every care has been taken in preparation of this guide, Konnect® accepts no responsibility for the accuracy of the information supplied. Copyright 2016. The contents of this document are the exclusive copyright of Konnect® and may not be reproduced without written consent.

Unitite® Technical Data Sheet

6-14 Unitite® Screws



PART NUMBER	L	LT
UT6-14X55CL5N	54.00 / 55.00	34.00 / 36.00
UT6-14X65CL5N	64.00 / 65.00	44.00 / 46.00



Whilst every care has been taken in preparation of this guide, Konnect® accepts no responsibility for the accuracy of the information supplied. Copyright 2016. The contents of this document are the exclusive copyright of Konnect® and may not be reproduced without written consent.